

# 66 SERIES FFC

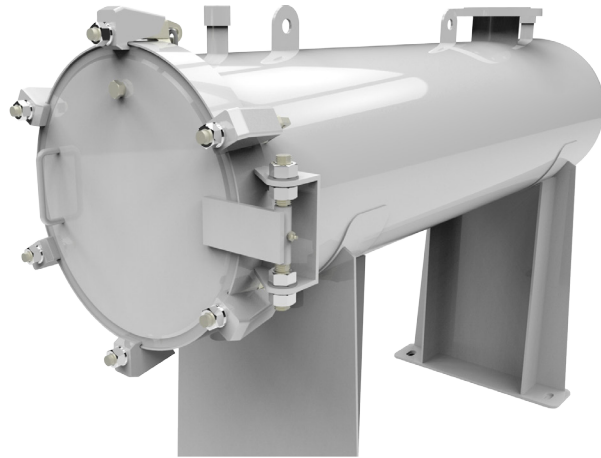
## Multi FFC Cartridge



The **66 Series FFC** housing range is specifically designed for use with large diameter **SupaPleat FFC** and **SupaSpun FFC** cartridges to provide a liquid filtration system that offers maximum efficiency, high flow rates and long life. This range of multi-cartridge housings can accommodate 3, 4, 5 and 7 filter cartridges in either 40" or 60" lengths. The cartridges are normally operated in 'out to in' mode.

The housings are designed to be used in a horizontal orientation and have a hinged and bolted closure to enable easy opening and closing. These housings are particularly suited to large scale high flow applications. The use of high surface area large diameter cartridges, instead of standard diameter cartridges, can greatly reduce the time required for filter change-out.

These high quality 316L stainless steel housings come fitted with a built-in stand and are available with a choice of connection types and sizes. To provide maximum convenience and safety, vent and drain ports are provided both upstream and downstream and the housing is fitted with lifting lugs. The housings are finished with a high quality external bead blast.



The **66 Series FFC** housings can accommodate filters manufactured with either polypropylene or glass microfibre media and with removal ratings of 0.5 – 90µm. Therefore they are suitable for a wide range of applications including water treatment and the production of beverages, chemicals and pharmaceuticals.

### Product Features

- Designed for high flow systems
- Easy and quick cartridge change-out
- Suitable for 3, 4, 5 or 7 cartridges
- Available for 40" or 60" filters
- Manufactured from 316L stainless steel
- High quality finish
- Each housing is hydrostatically pressure tested
- Available with a range of connection types and sizes
- Supplied with a built-in stand
- Rated at FV/10 bar in liquids
- PED and ATEX Compliant - CE Marked

## Features and Benefits

- Designed for **SupaPleat FFC** and **SupaSpun FFC** cartridges for maximum flow rates
- Accommodates 3, 4, 5 and 7 cartridges of either 40" or 60" length so suitable for a wider range of applications
- Utilises large diameter cartridges allowing quick filter change-out
- Operated in the horizontal orientation and fitted with a hinged and bolted closure for easy access
- Each housing is etched with a unique serial number for full traceability
- Full housing customisation service available

## Product Range

Amazon Filters design and manufacture an extensive range of liquid filtration systems, providing one of the widest selections of filtration vessels, depth filters and pleated cartridges available today, ensuring excellent process and filter compatibility. As one of Europe's leading manufacturers of filtration systems, Amazon Filters is able to offer a solution to meet all filtration requirements. Amazons' filters are manufactured in clean room conditions and all products come with detailed Product Validation Guides and Technical Support documentation.



**AMAZON**

# 66 Series FFC Technical Data

## Maximum Operating Conditions

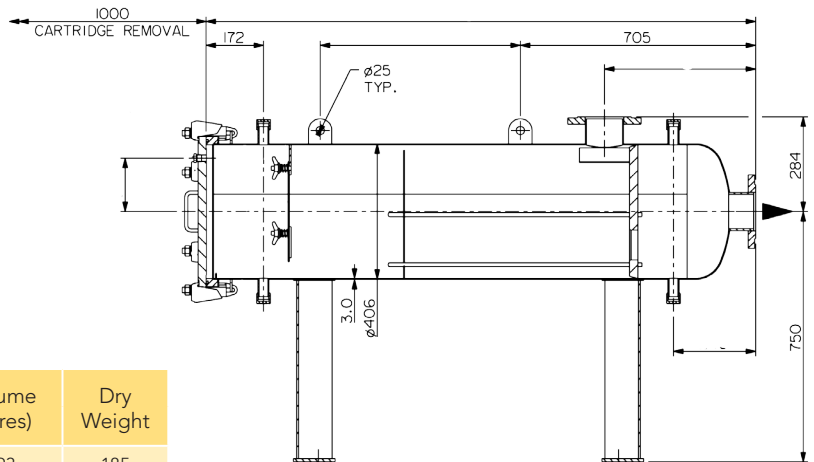
Pressure Range: FV/10 bar g  
 Temperature Range: -10°C/110°C

## Materials of Construction

Body and Closure: 316L St. Steel  
 Vessel Finish: Pickle, passivate and external bead blast

## Connections

Inlet/Outlet: 6" - 12" Flange  
 Vent: 1" BSPM with Cap  
 Drain: 1" BSPM with Cap  
 Lid vent: ½" BSPF with Plug



Model	Dimensions					Volume (Litres)	Dry Weight
	A	B	C	D	E		
66034PHD40C1GE	1647	453	246	160	600	193	185
66044PHD60C1GE	1657	518	261	120	600	245	249
66056PHDA1C1GE	2193	593	309	175	1000	410	350
66076PHDA2C1GE	2181	597	290	200	950	586	536

**PED Status:** Compliant with 97/23/EC  
 Fluid Groups: Liquids Group 1 + 2  
 Marking: CE Marked  
 Exceptions: Group 1 liquids - Explosive  
**ATEX:** Compliant 94/9/EC, level CE Ex II 2 GD c X

Technical drawings for each individual housing showing dimensions, volume, weights, maximum temperatures and design pressures available on request.

## AMAZON FILTERS LTD.

ALBANY PARK ESTATE, FRIMLEY ROAD  
 CAMBERLEY, SURREY, GU16 7PG  
 ENGLAND

**Tel.** +44 (0) 1276 670600  
**Fax.** +44 (0) 1276 670101  
**Email.** sales@amazonfilters.co.uk  
**Web.** www.amazonfilters.com

Distributed by:

