

# 76 SERIES

## Hygienic Style Single Stack

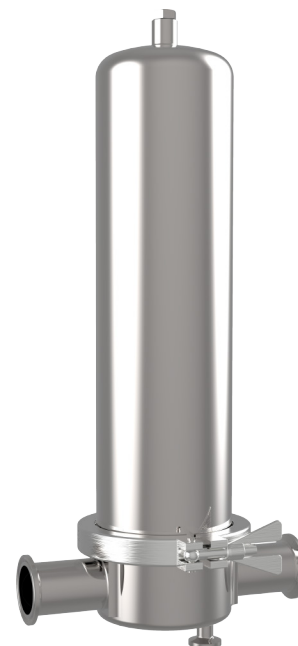


The **76 Series** single cartridge housing is a high quality product specifically designed for critical applications. It is manufactured to provide a 0.4µm Ra crevice free sanitary finish on all internal surfaces. The hygienic design ensures the housing is easy to clean and can be sanitised or steam sterilised readily. The base of the housing is designed to offer lower pressure drops in high flow applications and to ensure easy draining and cleaning.

**76 Series** housings are suitable for the filtration of both liquids and gases and will accept the full range of Amazon and industry standard code 7 (226) style single open-ended cartridges with nominal lengths of 5, 10, 20 and 30".

### Product Features

- 0.4µm Ra internal finish
- Rated at up to 10 bar g and full vacuum in gases
- Suitable for operating temperatures from -10°C up to 150°C
- High quality cast Vee clamp for ease of use, safety and security
- Offered with a wide range of connection sizes and types including Staubli connections
- Available for a range of cartridge lengths
- CE Marked
- Full traceability on all parts, material certification packs available



## Features and Benefits

- High quality crevice free surface finish to 0.4µm Ra to assist in maintaining a sanitary system
- Minimal pressure drops in high flow applications
- Designed for easy management of condensate
- Full vacuum rating in liquids and gases
- Suitable for a wide range of process temperatures
- Every housing is etched with a batch number for full traceability
- Full housing customisation service available

## Product Range

Amazon Filters design and manufacture an extensive range of liquid filtration systems, providing one of the widest selections of filtration vessels, depth filters and pleated cartridges available today, ensuring excellent process and filter compatibility. As one of Europe's leading manufacturers of filtration systems, Amazon Filters is able to offer a solution to meet all filtration requirements. Amazons' filters are manufactured in clean room conditions and all products come with detailed Product Validation Guides and Technical Support documentation.



**AMAZON**

# 76 Series Technical Data

## Maximum Operating Conditions

Pressure Range: Liquid: FV / 10 bar g  
 Gas Group 1: 10" - FV / 10 bar g  
 20" - FV / 9 bar g  
 30" - FV / 7 bar g  
 Gas Group 2: FV / 10 bar g

Temperature Range: -10°C / 150°C

## Materials of Construction

Body and Closure: 316L St. Steel  
 Clamp: 304 St. Steel

## Finish

Vessel: 0.4µm Ra Internal Finish, Degrease sump, electropolished base  
 0.8µm Ra or better external finish

## Connections

Inlet/Outlet: 1½" Tri Clamps

Model	Dimensions					Volume (Litres)	Dry Weight
	A	B	C	D	E		
760117AF15L1VS	413	55	-	216	350	3.8	4.4
760127AF15L1VS	668	55	-	216	600	5.5	5.5

## PED Status:

Compliant 97/23/EC  
 Gas Group 1 + 2  
 Liquids Group 1 + 2

## Marking:

CE

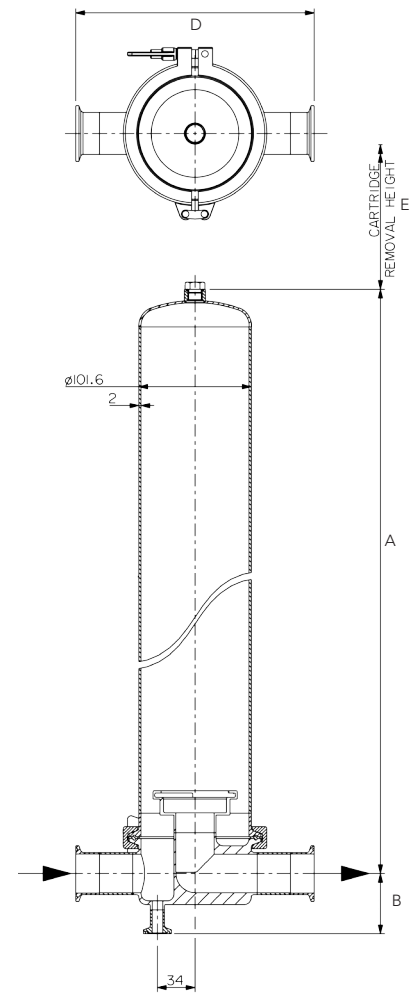
## Exceptions:

Group 1 liquids - Explosive

## ATEX:

Compliant 94/9/EC, level CE Ex II 2 GD c X

Technical drawings for each individual housing showing dimensions, volume, weights, maximum temperatures and design pressures available on request.



# AMAZON FILTERS LTD.

ALBANY PARK ESTATE, FRIMLEY ROAD  
 CAMBERLEY, SURREY, GU16 7PG  
 ENGLAND

**Tel.** +44 (0) 1276 670600

**Fax.** +44 (0) 1276 670101

**Email.** sales@amazonfilters.co.uk

**Web.** www.amazonfilters.com