

27 SERIES GRP

High Flow GRP Filter Housing



With water resources becoming less readily available, the use of larger and larger scale water treatment systems is increasing. Where extraction and purification of brackish and seawater is required the use of standard 304 or 316 stainless steel housings is not normally recommended. To help operators overcome these problems Amazon Filters has developed a filtration system comprising of a **27 Series GRP** (Glass Fibre Reinforced Plastic) housing available in various lengths, and the large diameter **SupaPleat FFC** high flow filter. Where flow rates are high the use of a high surface area cartridge provides a more cost effective solution than standard 65mm diameter filters. This

system has been specifically designed to reduce filtration costs associated with water purification.

The **27 Series GRP** housing consists of a GRP (FRP) polymeric body with super duplex stainless steel connections. Housings are designed so that flow through the cartridge is optimized in 'out to in' mode and the robust construction provides a maximum operating pressure of 16 bar and maximum operating temperature of 60° C. The external surface is painted and coated to provide protection from UV light damage.

Accessories	Part Number
Saddle and Strap Set 	27S010H00
Extraction Tool 	27S010H03

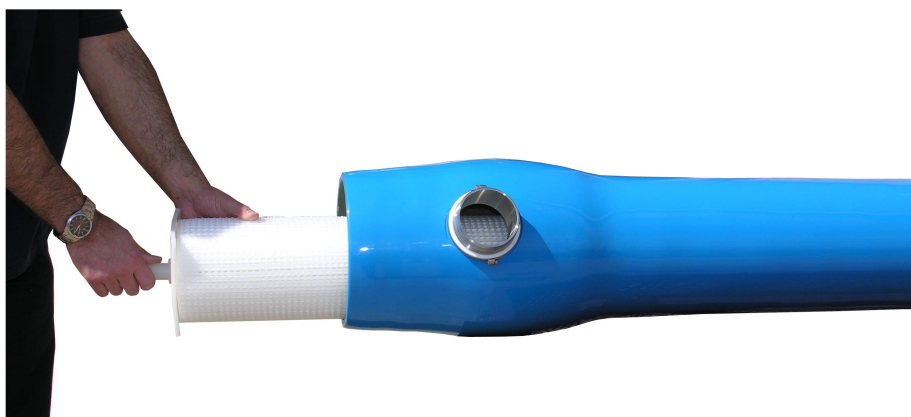
Industries and Applications

- Membrane protection in desalination plants and other industrial water purification systems
- Capture of carbon particles shed from dechlorination systems
- Control of resins downstream of deionization columns
- General particulate removal

Filter Cartridge

Amazon Filters manufactures **SupaPleat FFC** cartridges to be used with the **27 Series GRP** housing. The range of large diameter **SupaPleat FFC** filters are specifically designed to reduce filtration costs in water purification. Utilising advanced pleated meltblown polypropylene media and an optimised pleat pack design has produced a very high surface area cartridge offering high flow rates and long filter life.

Please consult our Sales office for further



Features and Benefits

- Design allows high flow rates minimising filtration costs and change-out times
- Available in lengths of up to 60" so suitable for high flow systems
- Suitable for brackish and salt water providing more cost effective option than superduplex or lined housings
- PED Compliant
- Design based upon standard RO membrane tubes so can be installed easily into water treatment systems

Product Range

Amazon Filters design and manufacture an extensive range of liquid filtration systems, providing one of the widest selections of filtration vessels, depth filters and pleated cartridges available today, ensuring excellent process and filter compatibility. As one of Europe's leading manufacturers of filtration systems, Amazon Filters is able to offer a solution to meet all filtration requirements. Amazons' filters are manufactured in clean room conditions and all products come with detailed Product Validation Guides and Technical Support documentation.



27 Series Technical Data

Maximum Operating Conditions

Maximum Pressure: 16 bar g
 Temperature Range: 60°C

Materials of Construction

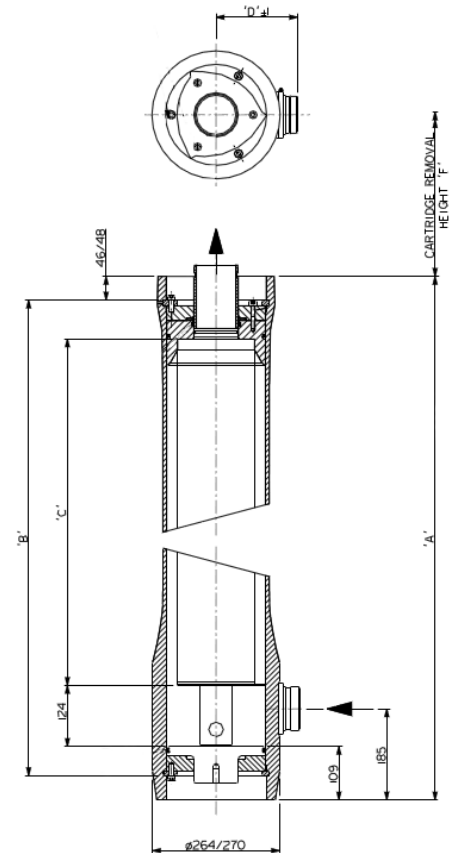
Body: Glass reinforced plastic
 End fittings: Super duplex stainless steel
 Seal: Silicone

PED Status:

Compliant with 97/23/EC
 Fluid Groups: Liquids Group 2
 Marking: SEP (Sound Engineering Practice)

Technical drawings for each individual housing showing dimensions, volume, weights, maximum temperatures and design pressures available on request.

Model	Dimensions					Volume (Litres)	Dry Weight
	A	B	C	D	E		
20"	896	781	516	165	700	16	23kg
40"	1384	1284	1019	165	1200	32	27kg
60"	1872	1787	1522	165	1700	48	31kg



AMAZON FILTERS LTD.

ALBANY PARK ESTATE, FRIMLEY ROAD
 CAMBERLEY, SURREY, GU16 7PG
 ENGLAND

Tel. +44 (0) 1276 670600
Fax. +44 (0) 1276 670101
Email. sales@amazonfilters.co.uk
Web. www.amazonfilters.com